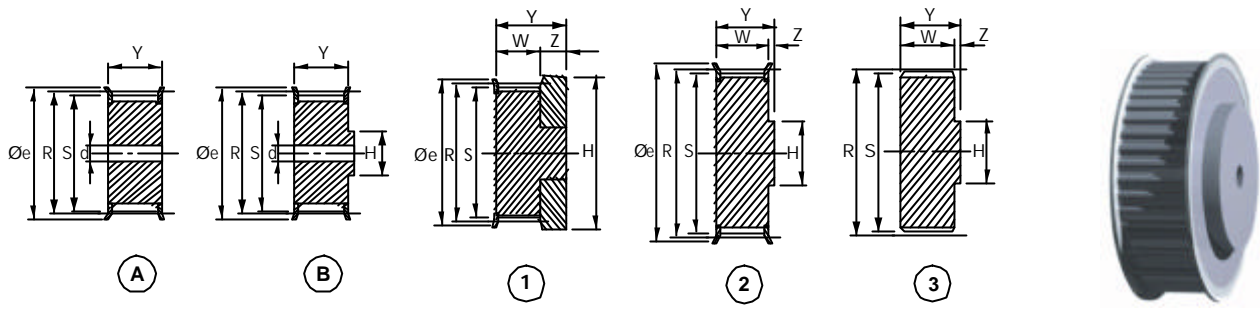


# Poleas Dentadas Métricas

## T

### FIGURASYDIMENSIONES



MATERIAL  
de 15a60dientes  
Aluminio

T2	Referencia	Nº dientes	R Ø(mm)	S Ø(mm)	e Ø(mm)	Figura	H Ø (mm)	d Ø (mm)	16-T2 Anchocorrea=6mm		
									W (mm)	Z (mm)	Y (mm)
T2/ 15	15	15	9,55	9,00	13	A	-	3	16	-	16
T2/ 16	16	16	10,19	9,64	13	A	-	3	16	-	16
T2/ 20	20	20	12,73	12,18	15	A	-	3	16	-	16
T2/ 24	24	24	15,28	14,73	18	B	10	3	10	6	16
T2/ 32	32	32	20,37	19,82	24	B	14	3	10	6	16
T2/ 48	48	48	30,56	30,01	35	B	20	4	10	6	16

T2,5	Referencia	Nº dientes	R Ø(mm)	S Ø(mm)	e Ø(mm)	Figura	H Ø (mm)	16-T2,5 Anchocorrea=6mm		
								W (mm)	Z (mm)	Y (mm)
T2,5/12	12	12	9,55	9,00	12,0	1	6,5	9	5	16
T2,5/14	14	14	11,14	10,60	16,0	1	8,5	9	5	16
T2,5/15	15	15	11,94	11,40	16,0	1	10,0	9	5	16
T2,5/16	16	16	12,73	12,20	18,0	2	9,0	10	6	16
T2,5/18	18	18	14,32	13,80	18,0	2	9,0	10	6	16
T2,5/19	19	19	15,12	14,60	21,5	2	9,0	10	6	16
T2,5/20	20	20	15,92	15,40	20,0	2	11,0	10	6	16
T2,5/22	22	22	17,51	17,00	20,0	2	11,0	10	6	16
T2,5/24	24	24	19,10	18,55	23,0	2	12,0	10	6	16
T2,5/25	25	25	19,89	19,35	24,0	2	13,0	10	6	16
T2,5/26	26	26	20,69	20,15	24,0	2	14,0	10	6	16
T2,5/28	28	28	22,28	21,75	27,0	2	14,0	10	6	16
T2,5/30	30	30	23,87	23,35	27,0	2	16,0	10	6	16
T2,5/32	32	32	25,46	24,95	30,0	2	16,0	10	6	16
T2,5/36	36	36	28,65	28,10	33,0	2	20,0	10	6	16
T2,5/40	40	40	31,83	31,30	36,0	2	22,0	10	6	16
T2,5/44	44	44	35,01	34,50	40,0	2	24,0	10	6	16
T2,5/48	48	48	38,20	37,70	-	3	28,0	10	6	16
T2,5/60	60	60	47,75	47,25	-	3	34,0	10	6	16