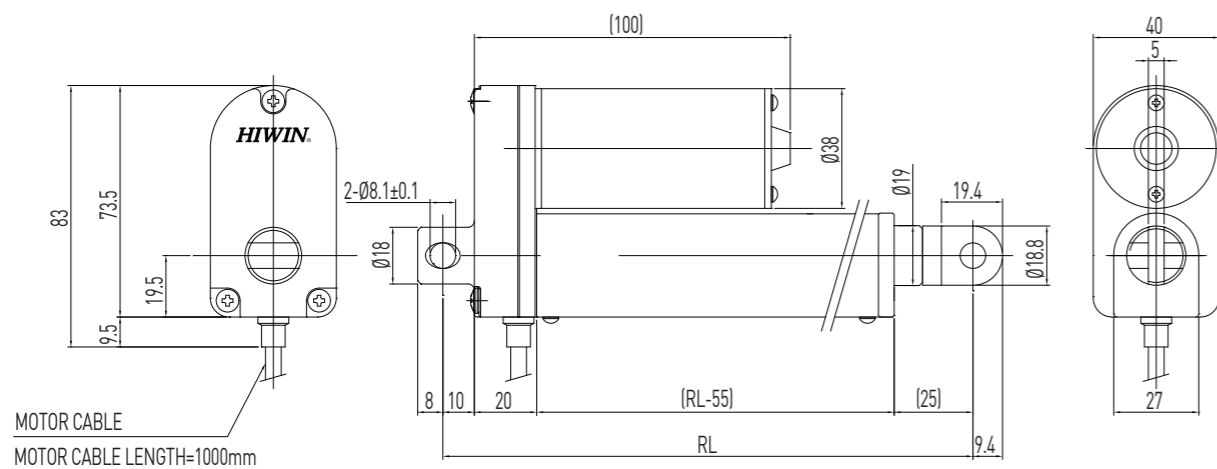


Linear Actuator

3.LAS Series

3-1 HIWIN LAS Series (1)

LAS1



- RL = S+119
Stroke ≤ 250
- RL = S+169
Stroke = 300
- RL : Retracted length
- S : Stroke length

Table 3.1 Specifications

Screw type	ACME
Weight*	1.04kg
Protection	IP54
Compatible controller	Compatible with all controllers [*Notice the type of connector: Audio/DIN 4pin]
Working temp.	+5°C~40°C

* Stroke length 200mm

Option:

- (1) IP66
- (2) Back fixture turned 90°
- (3) Rod end with flat connector
(RL=S+110, S ≤ 250 / RL=S+160, S=300)
- (4) External reed switches
- (5) Plastic gear (Max. load: 800N)
- (6) Plug : DIN 4PIN plug / Stereo plug / Mono plug
- (7) UL version

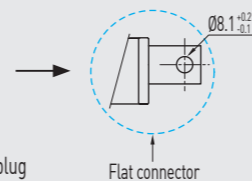
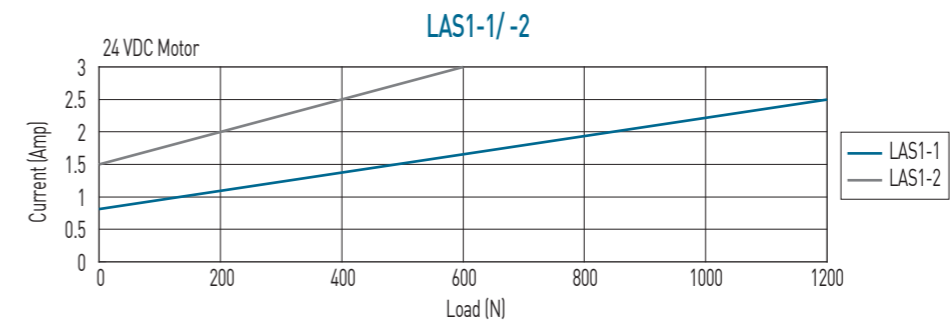
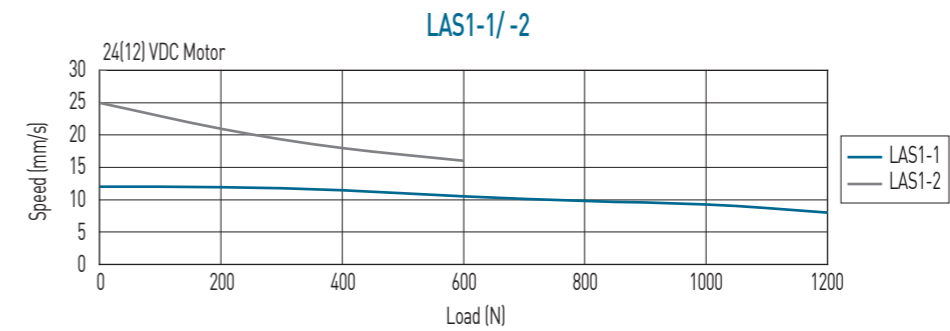


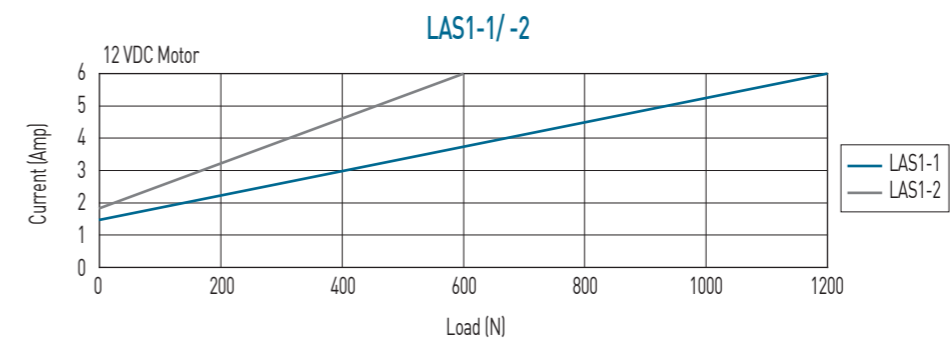
Table 3.2 LAS1 Specifications

Model	Thrust max. (N)	Pulling max. (N)	Holding max. (N)	Speed (mm / s) Load = Max. / Load = 0	Standard stroke (mm) : S								Duty cycle %	Current max. (A)	
					50	75	100	125	150	200	250	300		12VDC	24VDC
LAS1-1	1200	1200	800	8 / 12	50	75	100	125	150	200	250	300	10	6	2.5
LAS1-2	600	600	300	16 / 25	50	75	100	125	150	200	250	300	10	6	3

*Min. input power = Voltage x Current max.



**Note: The test results are obtained by using the 24VDC power supply.



**Note: The test results are obtained by using the 12VDC power supply.

Ordering Information

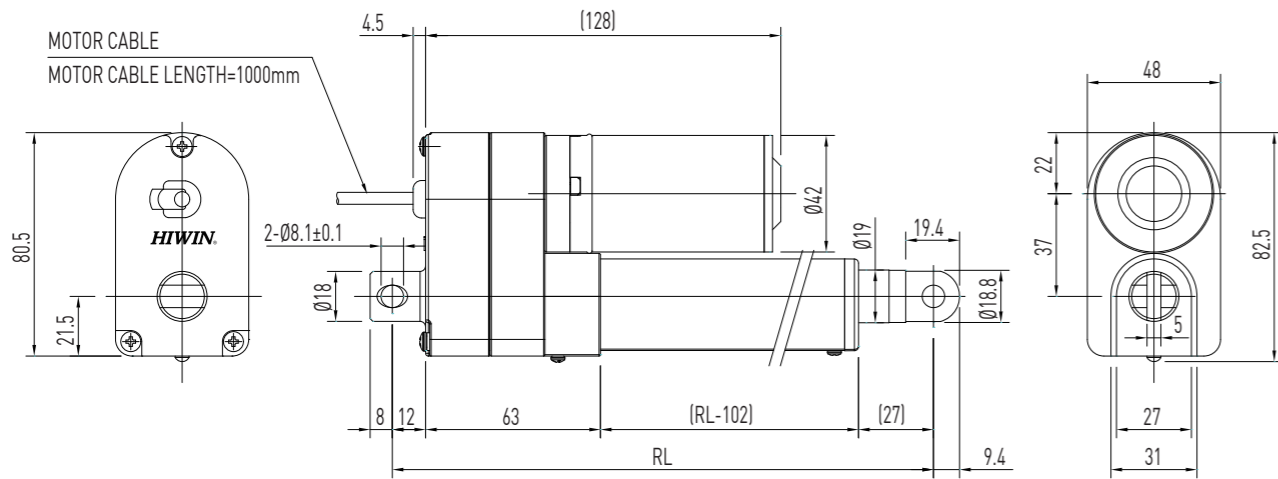
LAS1 - 1 - 1 - 200 - 24 G E

Model number	0 : Without internal limit switches 1 : Basic model complete with internal limit switches	Stroke length	200	Voltage	24:Standard motor 12:12VDC Standard	Color	B : Black G : Gray	Special models according to the customer's requirement (Ignore this part of the serial number if not available)	E
--------------	--	---------------	-----	---------	--	-------	-----------------------	---	---

Linear Actuator

3-2. HIWIN LAS Series (2)

LAS2



- RL = S+146
Stroke ≤ 250
RL: Retracted length
S: Stroke length

Table 3.3 Specifications

Screw type	ACME
Weight*	1.3kg
Protection	IP54
Compatible controller	Compatible with all controllers [*Notice the type of connector: Audio/DIN 4pin]
Working temp.	+5°C~40°C

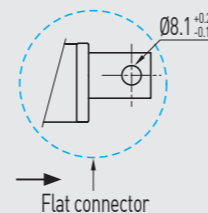
* Stroke length 200mm

Option:

- (1) IP66
- (2) Position feedback
 - 1: Potentiometer 10k ohm (RL = S+154, S ≤ 250)
 - 2: Hall sensor:PNP[standard]
- (3) Back fixture turned 90°
- (4) Rod end with flat connector (RL = S+133, S ≤ 250)

Table 11.2 Position feedback specifications (Hall Sensor)

Supply voltage	24VDC	12VDC	5VDC
Output	High level 24VDC Low level 0.2V / 10mA sink (PNP)(NPN)	High level 12VDC Low level 0.2V / 10mA sink (PNP)(NPN)	TTL

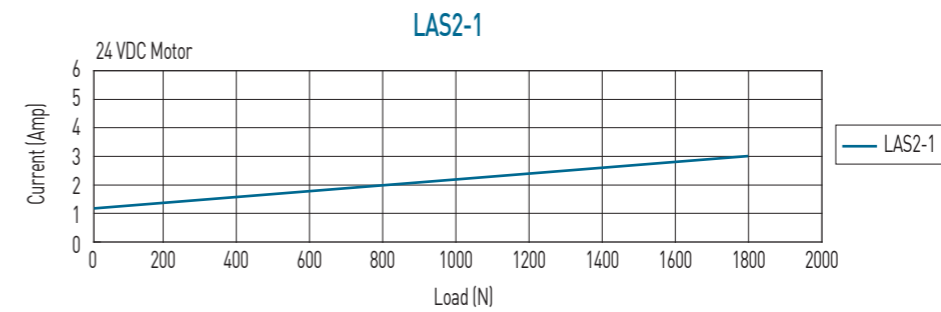
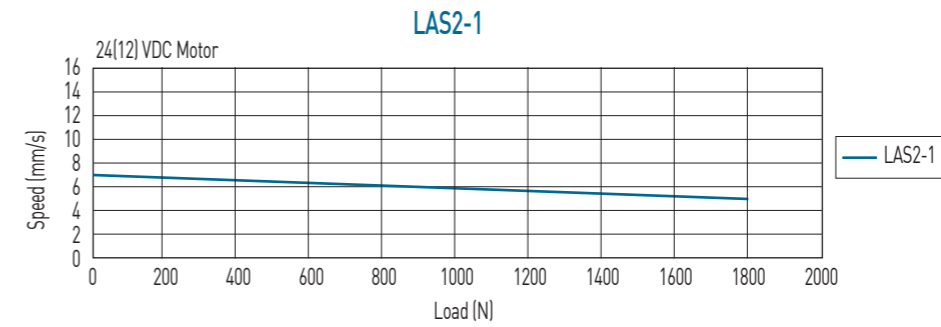


- (5) Potentiometer+Rod end with flat connector (RL = S+141, S ≤ 250)
- (6) Plug: DIN 4PIN plug / Stereo plug / Mono plug
- (7) UL version
- (8) External reed switch(RL=S+174,S ≤ 250)

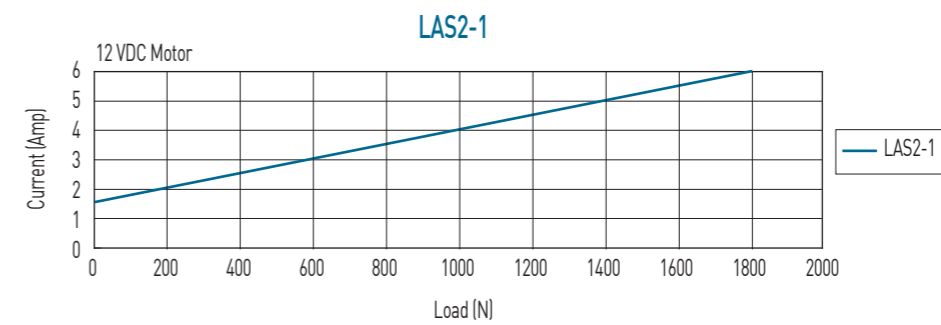
Table 3.4 LAS2 Specifications

Model	Thrust	Pulling	Holding	Speed	Standard stroke					Duty cycle %	Current max.		Hall Sensor Resolution (mm/pulse)	Potentiometer Resolution (Ohm/mm)
	max. (N)	max. (N)	max. (N)	(mm / s) Load = Max. / Load = 0	(mm) : S	(mm)	(mm)	(mm)	(mm)		(A) 12VDC	(A) 24VDC		
LAS2-1	1800	1200	1800	4.5 / 7	50	100	150	200	250	10	6	3	0.3175	21

*Min. input power = Voltage x Current max.



**Note: The test results are obtained by using the 24VDC power supply.



**Note: The test results are obtained by using the 12VDC power supply.

Ordering Information

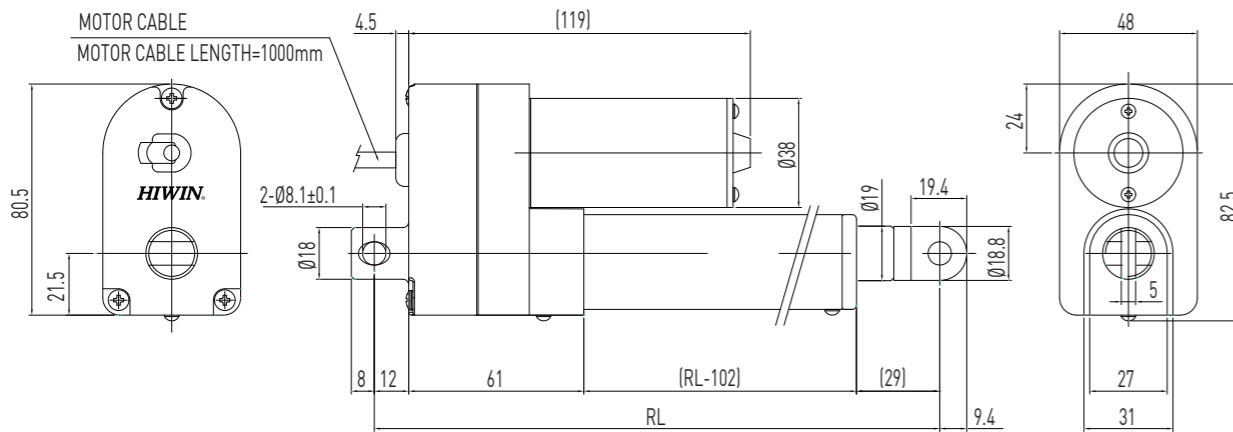
LAS2 - 1 - 1 - 200 - 24 G E

Model number	Stroke length	Voltage	Color	Special models according to the customer's requirement (Ignore this part of the serial number if not available)
0 : Without internal limit switches 1 : Basic model complete with internal limit switches	200	24:Standard motor 12:12VDC Standard	B : Black G : Gray	

Linear Actuator

3-3. HIWIN LAS Series (3)

LAS3



- RL = S+146
Stroke ≤ 250
RL: Retracted length
S: Stroke length

Table 3.5 Specifications

Screw type	ACME
Weight*	1.27kg
Protection	IP54
Compatible controller	Compatible with all controllers [*Notice the type of connector: Audio/DIN 4pin]
Working temp.	+5°C~40°C

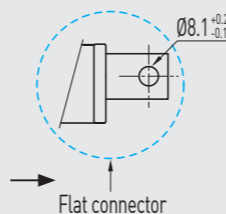
* Stroke length 200mm

Option:

- (1) IP66
- (2) Position feedback
 - 1: Potentiometer 10k ohm (RL = S+154, S ≤ 250)
 - 2: Hall sensor:PNP(standard)
- (3) Back fixture turned 90°

Table 12.2 Position feedback specifications (Hall Sensor)

Supply voltage	24VDC	12VDC	5VDC
Output	High level 24VDC Low level 0.2V / 10mA sink (PNP)(NPN)	High level 12VDC Low level 0.2V / 10mA sink (PNP)(NPN)	TTL

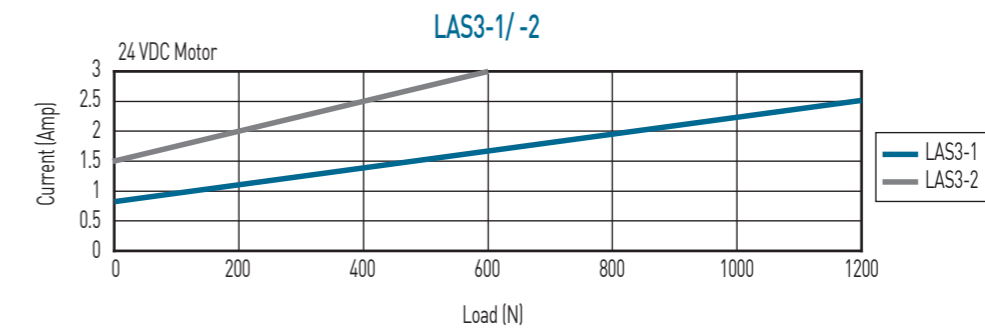
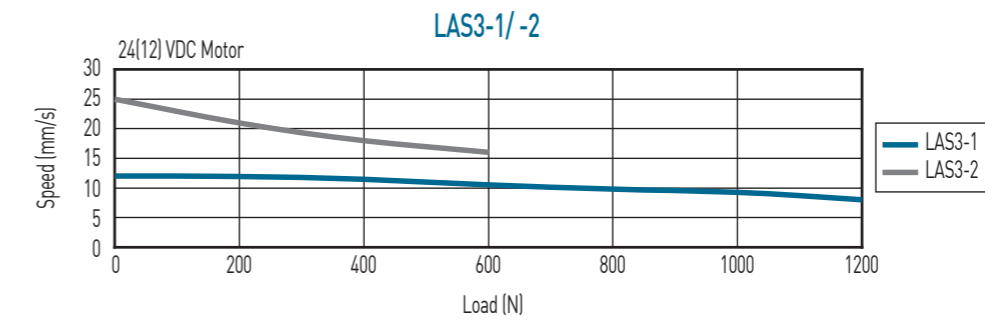


- (4) Rod end with flat connector (RL = S+133, S ≤ 250)
- (5) Potentiometer+Rod end with flat connector (RL = S+141, S ≤ 250)
- (6) Plug : DIN 4PIN plug / Stereo plug / Mono plug
- (7) External reed switch(RL=S+172,S≤250)

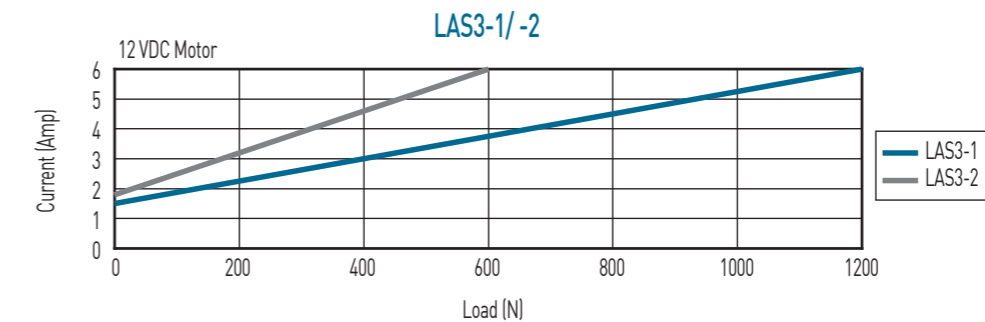
Table 3.6 LAS3 Specifications

Model	Thrust max. (N)	Pulling max. (N)	Holding max. (N)	Speed (mm / s) Load = Max. / Load = 0	Standard stroke (mm) : S					Duty cycle %	Current max. (A)		Hall Sensor Resolution (mm/pulse)	Potentiometer Resolution (0hm/mm)
					50	100	150	200	250		12VDC	24VDC		
LAS3-1	1200	1200	800	8 / 12	50	100	150	200	250	10	6	2.5	0.3175	21
LAS3-2	600	600	300	16 / 25	50	100	150	200	250	10	6	3	0.635	10.5

*Min. input power = Voltage x Current max.



**Note: The test results are obtained by using the 24VDC power supply.



**Note: The test results are obtained by using the 12VDC power supply.

Ordering Information

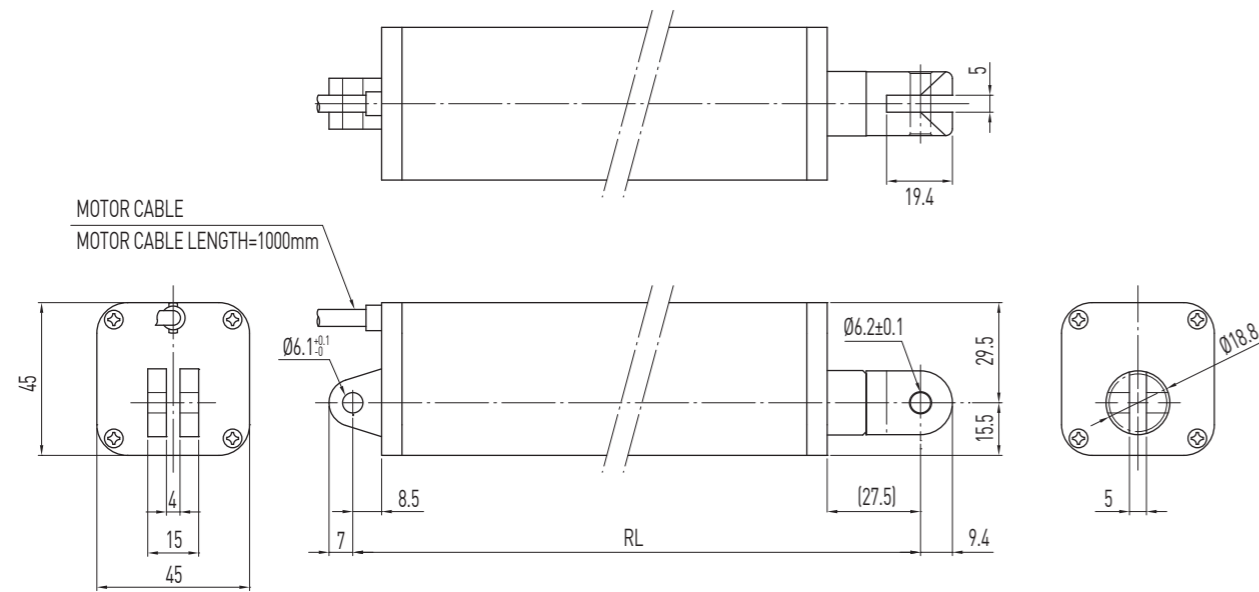
LAS3 - 1 - 1 - 200 - 24 G E

Model number	0 : Without internal limit switches 1 : Basic model complete with internal limit switches	Stroke length	24:Standard motor 12:12VDC Standard	Color	B : Black G : Gray	Special models according to the customer's requirement (Ignore this part of the serial number if not available)
--------------	--	---------------	--	-------	-----------------------	---

Linear Actuator

3-4. HIWIN LAS Series (4)

LAS4



- RL = S+222.5
Stroke ≤ 300
RL: Retracted length
S: Stroke length

Table 3.7 Specifications

Screw type	ACME
Weight*	1.36kg
Protection	IP54
Compatible controller	Compatible with all controllers [*Notice the type of connector: Audio/DIN 4pin]
Working temp.	+5°C~40°C

* Stroke length 200mm

Table 13.2 Position feedback specifications (Hall Sensor)

Supply voltage	24VDC	12VDC	5VDC
Output	High level 24VDC Low level 0.2V / 10mA sink (NPN)	High level 12VDC Low level 0.2V / 10mA sink (NPN)	TTL

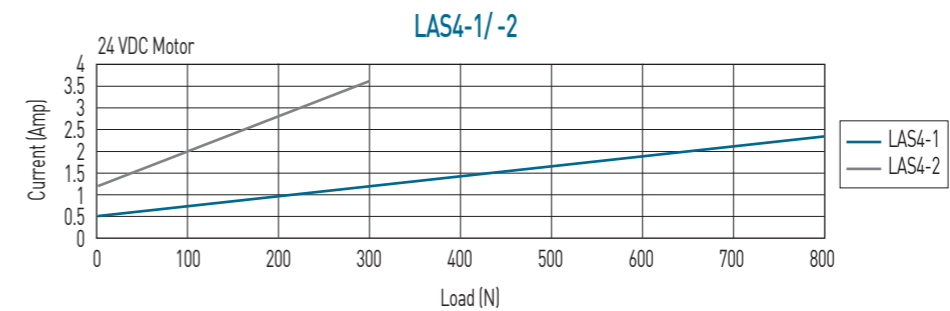
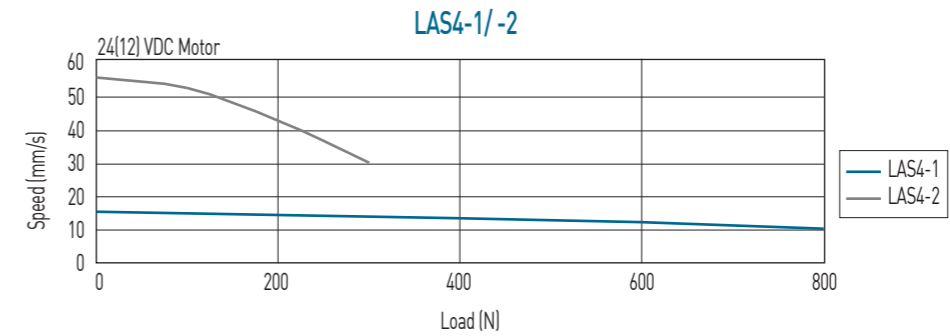
Option:

- (1) IP65
- (2) Hall sensor [RL = S+226, S ≤ 300]
- (3) Plug: DIN 4PIN plug/Stereo plug/Mono plug

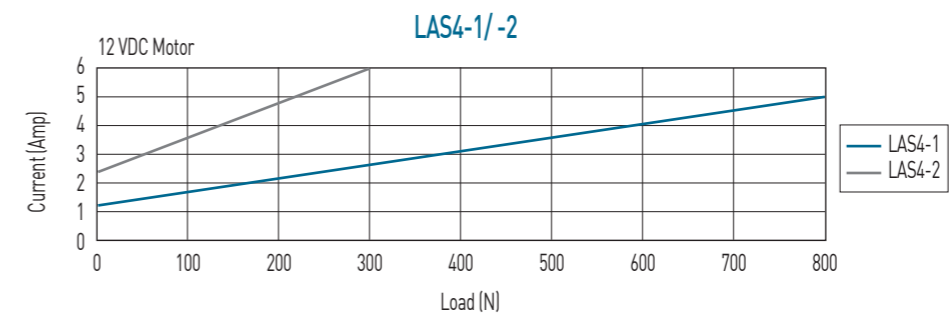
Table 3.8 LAS4 Specifications

Model	Thrust max. (N)	Pulling max. (N)	Holding max. (N)	Speed (mm/s) Load = Max. / Load = 0	Standard stroke (mm) : S					Duty cycle %	Current max. (A)		Hall Sensor Resolution (mm/pulse)
					100	150	200	250	300		12VDC	24VDC	
LAS4-1	800	800	600	10 / 15	100	150	200	250	300	10	5	2.3	0.0085
LAS4-2	300	300	200	30 / 55	100	150	200	250	300	10	6	3.6	0.02

*Min. input power = Voltage x Current max.



**Note: The test results are obtained by using the 24VDC power supply.



**Note: The test results are obtained by using the 12VDC power supply.

Ordering Information

LAS4 - 1 - 1 - 200 - 12 G E					
Model number	0 : Without internal limit switches 1 : Basic model complete with internal limit switches	Stroke length	Voltage 24:Standard motor 12:12VDC Standard	Color B : Black G : Gray	Special models according to the customer's requirement (Ignore this part of the serial number if not available)