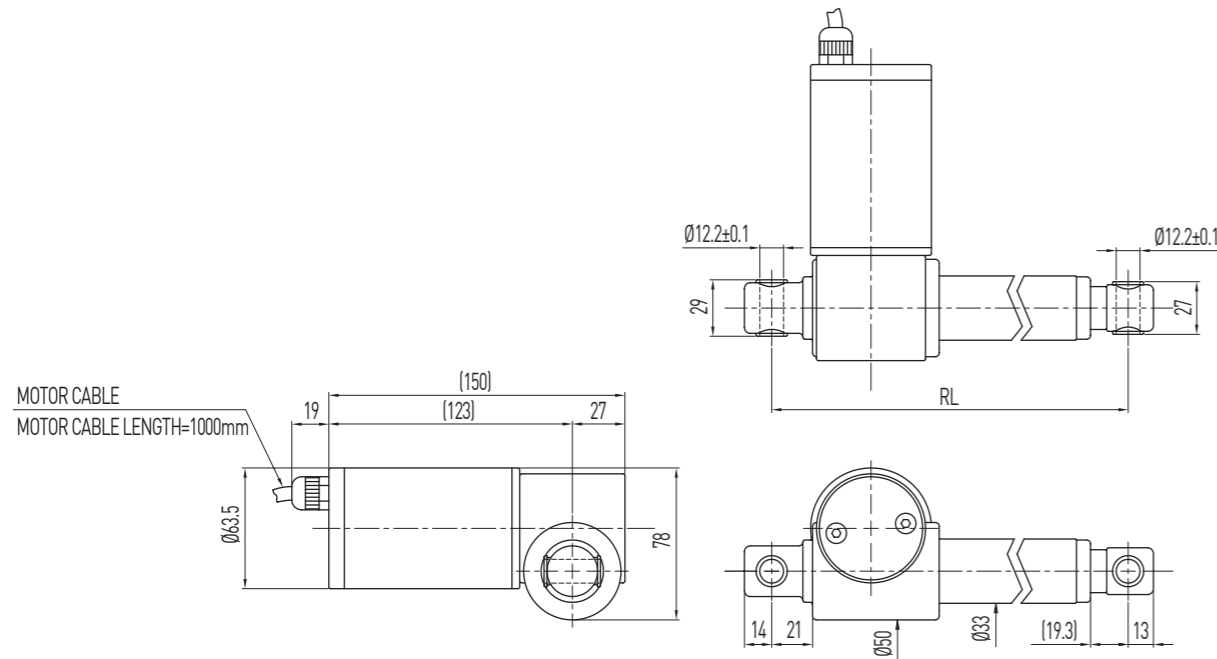


Linear Actuator

2.LAM Series

2-1. HIWIN LAM Series (1)

LAM1-1 / -2



- LAM1-1/-2
RL = S+153
Stroke ≤ 400
RL: Retracted length
S: Stroke length
- LAM1-1A
RL = S+162
Stroke ≤ 400

When LAM1 with external limit switch, install heat-shrink tube at the front and the end of limit switch to restrict its location.

Table 2.1 Specifications

Screw type	Ballscrew / ACME
Weight*	2.31kg
Protection	IP54
Compatible controller	LAK2 / LAK2LR / LAK2D / LAK2BN / LAK2J / LAK6B
Working temp.	+5°C-40°C

* Stroke length 100mm

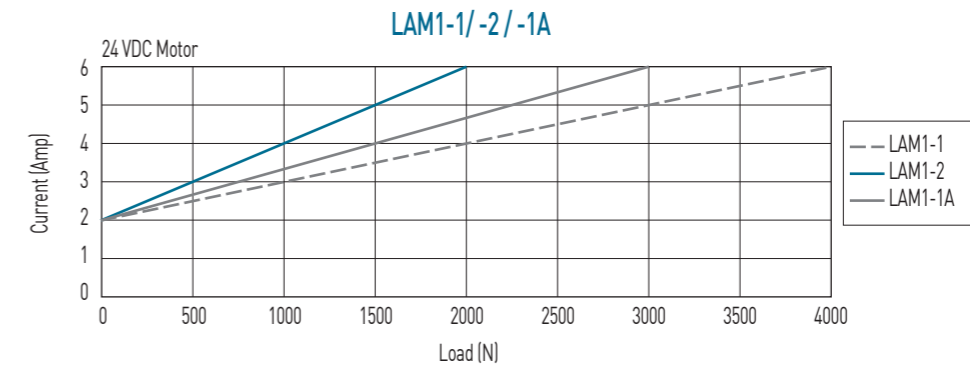
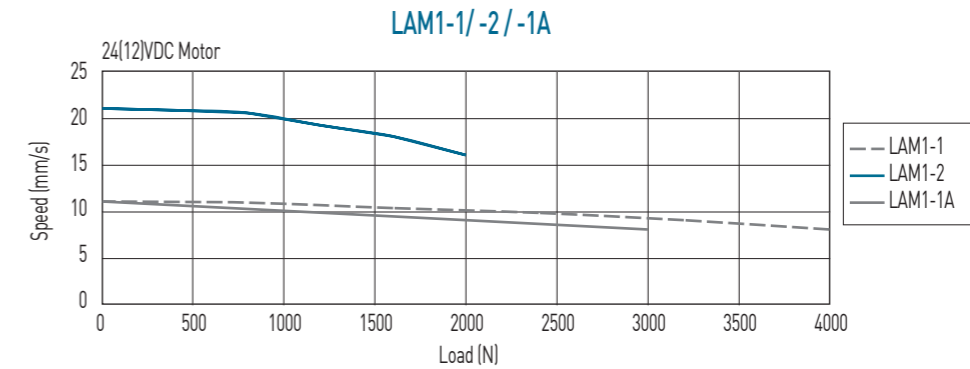
Option:

- (1) IP65
- (2) Gear box housing turned 90°
- (3) UL version only 24VDC motor specifications (Only 24VDC certified by UL)
- (4) Plug: DIN 4PIN plug / Stereo plug / Mono plug

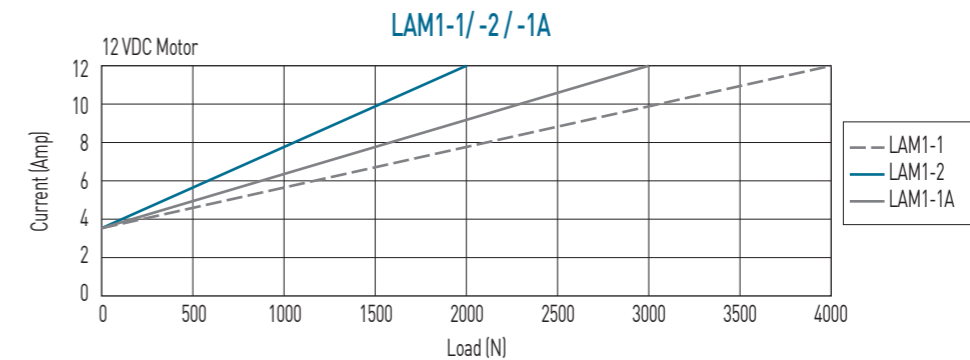
Table 2.2 LAM1 Specifications

Model	Screw type	Thrust max. (N)	Pulling max. (N)	Holding max. (N)	Speed (mm/s) Load = Max. / Load = 0	Standard stroke (mm) : S						Duty cycle %	Current max. (A)		
						100	150	200	250	300	350		400	12VDC	24VDC
LAM1-1	Ballscrew	4000	3000	4000	8 / 11	100	150	200	250	300	350	400	10	12	6
LAM1-2	Ballscrew	2000	2000	1200	16 / 21	100	150	200	250	300	350	400	10	12	6
LAM1-1A	ACME	3000	3000	3000	8 / 11	100	150	200	250	300	350	400	10	12	6

*Min. input power = Voltage x Current max.



**Note: The test results are obtained by using the 24VDC power supply.



**Note: The test results are obtained by using the 12VDC power supply.

Ordering Information

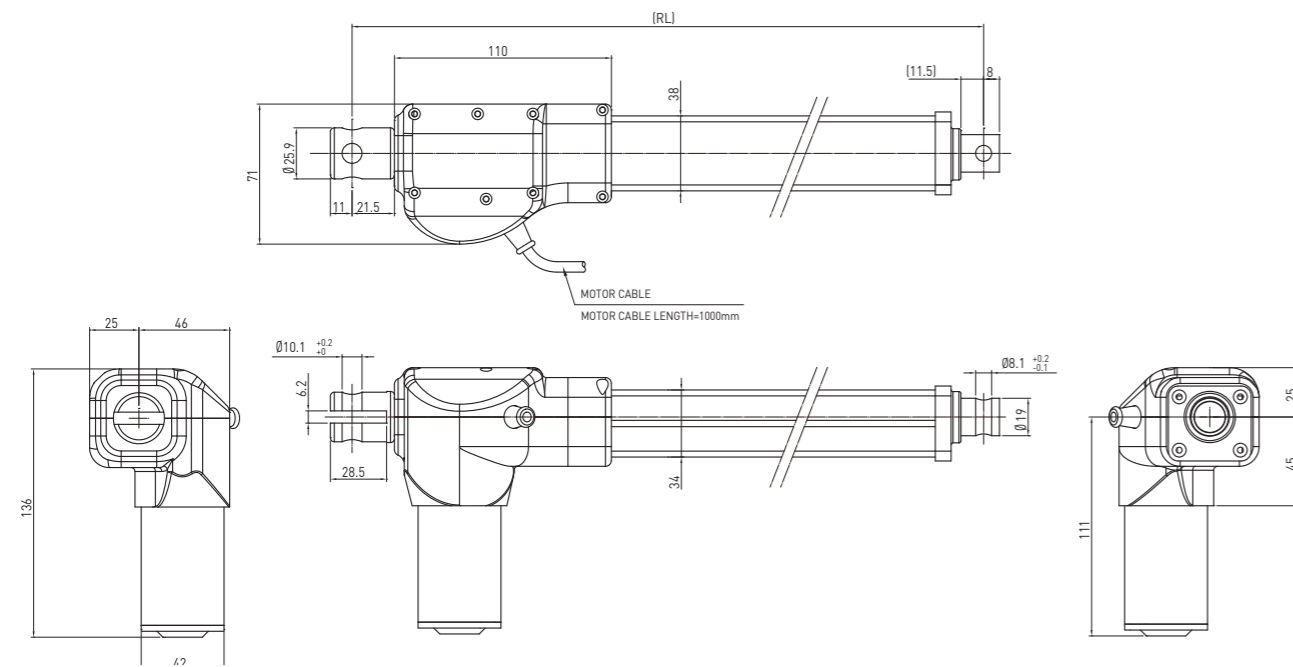
LAM1 - 1 - 0 - 200 - 24 E				
Model number (Ballscrew: 1,2) (ACME: 1A)	0 : Basic model (without magnet) 1 : Complete with external limit switches	Stroke length	Voltage 24:Standard motor 12:12VDC Standard	Special models according to the customer's requirement (Ignore this part of the serial number if not available)

*Remark: The over-current protection is for over load protection, do not use for limit stop. Suggestion: To add external limit switch as limit positions stop.

Linear Actuator

2-2. HIWIN LAM Series (2)

LAM2



- RL = S+157
Stroke ≤ 300
RL: Retracted length
S: Stroke length

Table 2.3 Specifications

Screw type	ACME
Weight*	1.9kg
Protection	IP54
Compatible controller	Compatible with all controllers (*Notice the type of connector: Audio/DIN 4pin)
Working temp.	+5°C~40°C

* Stroke length 200mm

Option:

- (1) External reed switch (RL=S+207, S ≤ 300)
- (2) Mechanical Spline (Push only)
- (3) MR Sensor (Position feedback)
- (4) Back fixture turned 90°
- (5) IP66
- (6) Rod end with round connector (RL = S+176, S ≤ 300)
- (7) Plug: DIN 4PIN plug / Stereo plug / Mono plug
- (8) UL Version

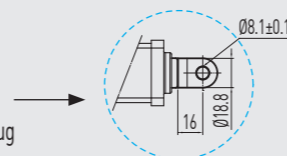
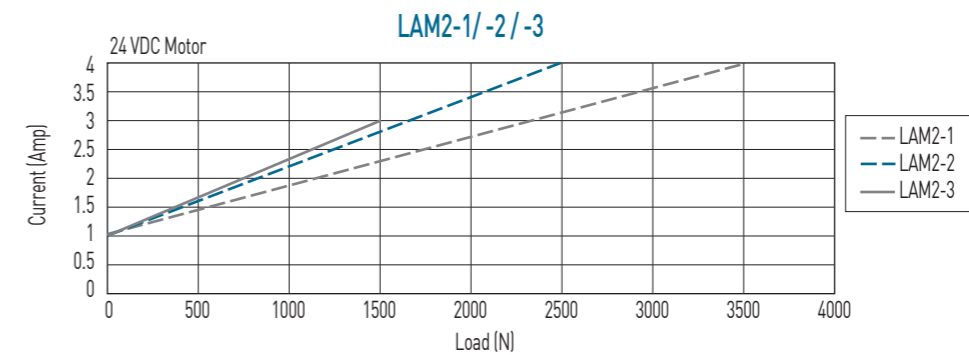
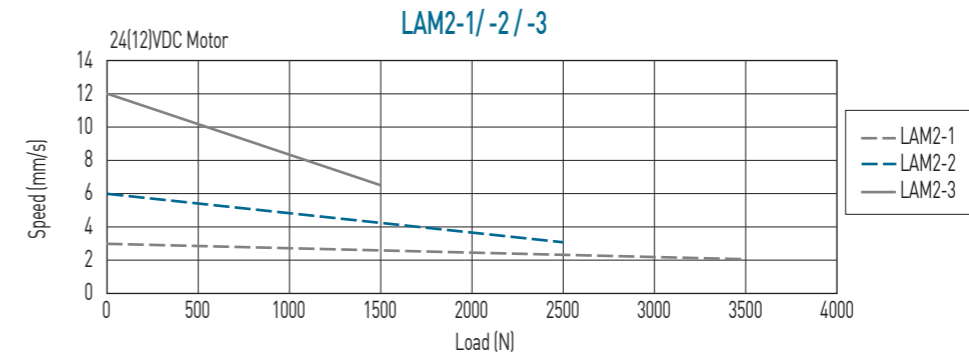


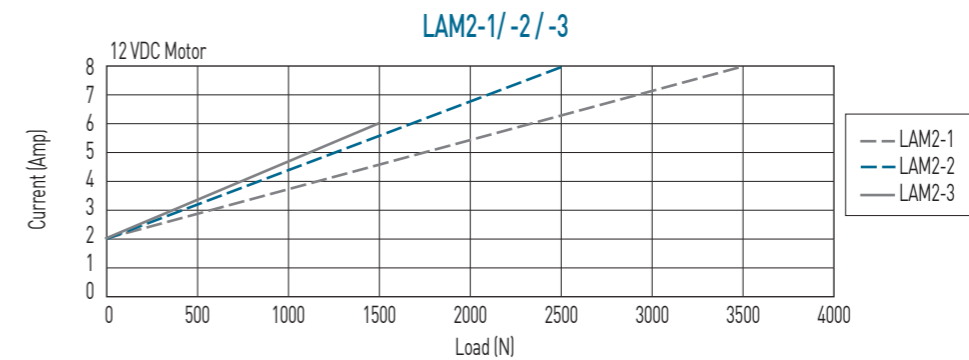
Table 2.4 LAM2 Specifications

Model	Thrust max. (N)	Pulling max. (N)	Holding max. (N)	Speed (mm/s) Load = Max. / Load = 0	Standard stroke (mm) : S					Duty cycle %	Current max. (A)		MR Sensor Resolution (mm / pulse)
					100	150	200	250	300		12VDC	24VDC	
LAM2-1	3500	3500	3000	2 / 3.5	100	150	200	250	300	10	8	4	0.1
LAM2-2	2500	2500	2000	3 / 6	100	150	200	250	300	10	8	4	0.16
LAM2-3	1500	1500	1500	6.5 / 12	100	150	200	250	300	10	6	3	0.32

*Min. input power = Voltage x Current max.



**Note: The test results are obtained by using the 24VDC power supply.



**Note: The test results are obtained by using the 12VDC power supply.

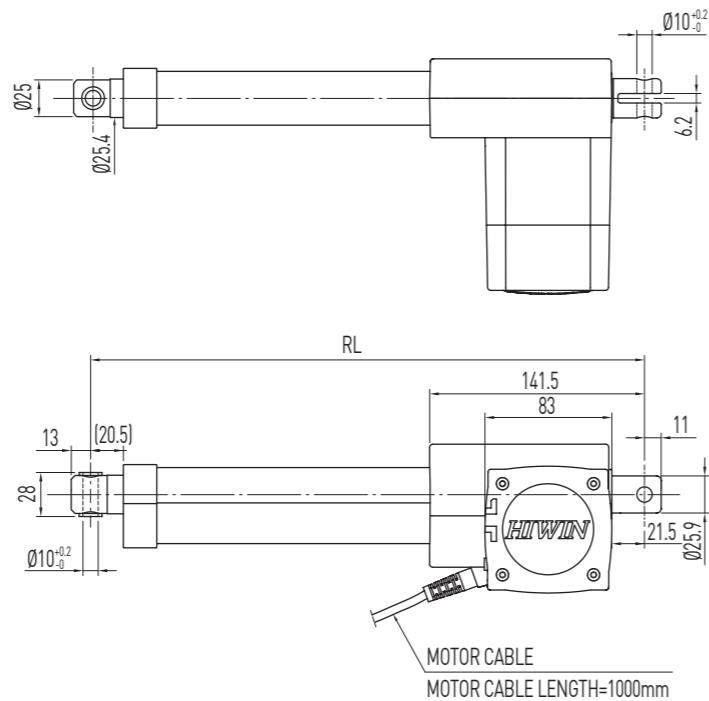
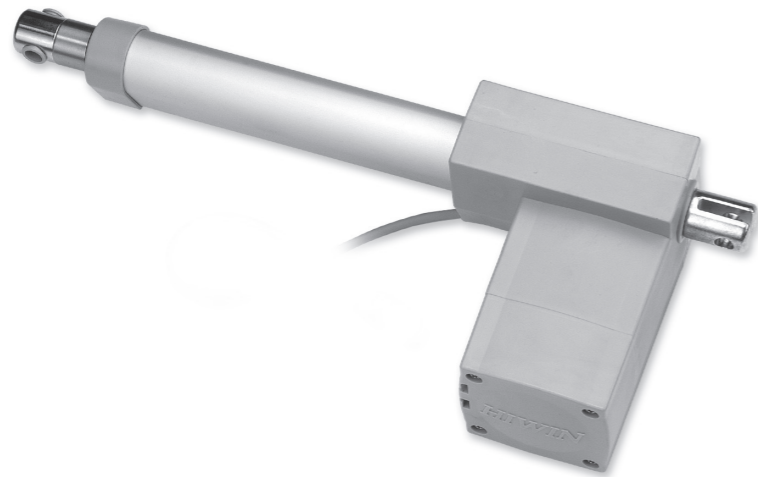
Ordering Information

Model number	0 : Without internal limit switches 1 : Basic model complete with internal limit switches	Stroke length	200	Voltage	24: Standard motor 12: 12VDC Standard	Color	B : Black G : Gray	Special models according to the customer's requirement (Ignore this part of the serial number if not available)
--------------	--	---------------	-----	---------	--	-------	-----------------------	---

Linear Actuator

2-3 HIWIN LAM Series (3)

LAM3



- RL = S+171
Stroke ≤ 300
- RL = S+221
Stroke = 350 and 400
- RL: Retracted length
- S: Stroke length

Table 2.5 Specifications

Screw type	ACME
Weight*	2.95kg
Protection	IP54
Compatible controller	Compatible with all controllers (*Notice the type of connector: Audio/DIN 4pin)
Working temp.	+5°C~40°C

* Stroke length 200mm

Option:

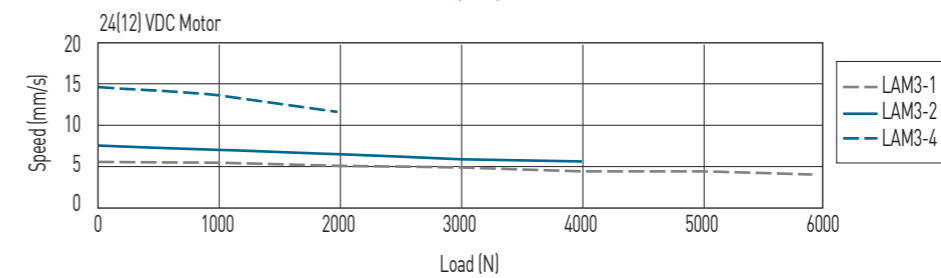
- (1) IP66
- (2) Safety Nut (RL = S+183, S ≤ 300 / RL = S+233, 350 and 400)
- (3) Back fixture turned 90°
- (4) Plug: DIN 4PIN plug / Stereo plug / Mono plug

Table 2.6 LAM3 Specifications

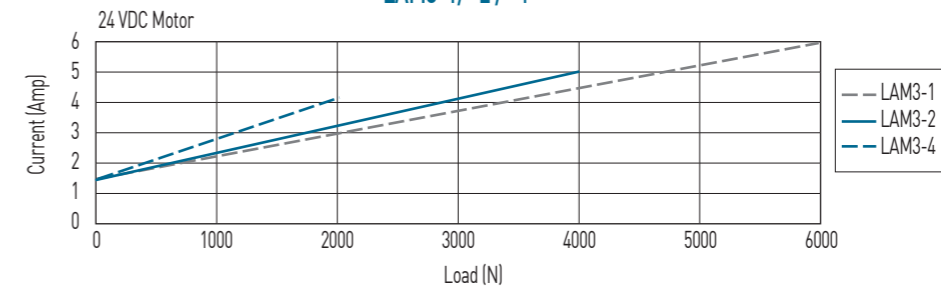
Model	Thrust max. (N)	Pulling max. (N)	Holding max. (N)	Speed (mm/s) Load = Max. / Load = 0	Standard stroke (mm) : S						Duty cycle %	Current max. (A)		
					100	150	200	250	300	350		400	12VDC	24VDC
LAM3-1	6000	5000	5000	4 / 5.5	100	150	200	250	300	350	400	10	12	6
LAM3-2	4000	4000	4000	5.5 / 7.5	100	150	200	250	300	350	400	10	10	5
LAM3-4	2000	2000	1500	11.5 / 14.5	100	150	200	250	300	350	400	10	8	4

*Min. input power = Voltage x Current max.

LAM3-1/-2/-4

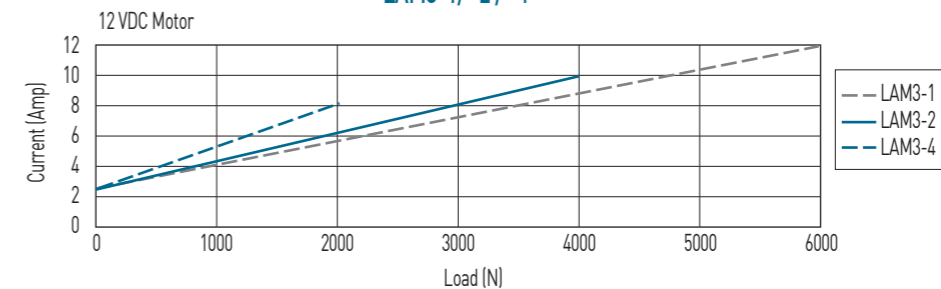


LAM3-1/-2/-4



**Note: The test results are obtained by using the 24VDC power supply.

LAM3-1/-2/-4



**Note: The test results are obtained by using the 12VDC power supply.

Ordering Information

LAM3 - 1 - 1 - 300 - 24 G E					
Model number	0 : Without internal limit switches 1 : Basic model complete with internal limit switches	Stroke length	Voltage 24:Standard motor 12:12VDC Standard	Color B : Black G : Gray	Special models according to the customer's requirement (Ignore this part of the serial number if not available)