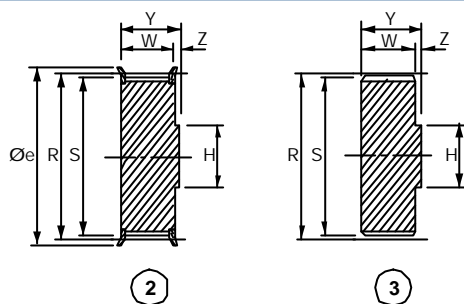


T

FIGURASYDIMENSIONES



MATERIAL
de 10 a Ø dientes

Aluminio

T5	Referencia	Nº dientes	R Ø(mm)	S Ø(mm)	e Ø(mm)	Figura	H Ø (mm)	21-T5 Anchocorrea=10mm			27-T5 Anchocorrea=16mm			36-T5 Anchocorrea=25mm		
								W (mm)	Z (mm)	Y (mm)	W (mm)	Z (mm)	Y (mm)	W (mm)	Z (mm)	Y (mm)
T5/10		10	15,92	15,05	18,0	2	8,0	15	6	21	21	6	27	30	6	36
T5/12		12	19,10	18,25	23,0	2	11,0	15	6	21	21	6	27	30	6	36
T5/14		14	22,28	21,45	24,0	2	14,0	15	6	21	21	6	27	30	6	36
T5/15		15	23,87	23,05	27,0	2	16,0	15	6	21	21	6	27	30	6	36
T5/16		16	25,46	24,60	30,0	2	18,0	15	6	21	21	6	27	30	6	36
T5/18		18	28,65	27,80	30,0	2	20,0	15	6	21	21	6	27	30	6	36
T5/19		19	30,24	29,40	33,0	2	22,0	15	6	21	21	6	27	30	6	36
T5/20		20	31,83	31,00	33,0	2	23,0	15	6	21	21	6	27	30	6	36
T5/22		22	35,01	34,25	36,0	2	24,0	15	6	21	21	6	27	30	6	36
T5/24		24	38,20	37,40	40,0	2	26,0	15	6	21	21	6	27	30	6	36
T5/25		25	39,79	39,00	46,0	2	26,0	15	6	21	21	6	27	30	6	36
T5/26		26	41,38	40,60	46,0	2	26,0	15	6	21	21	6	27	30	6	36
T5/27		27	42,97	42,20	46,0	2	30,0	15	6	21	21	6	27	30	6	36
T5/28		28	44,56	43,75	50,0	2	32,0	15	6	21	21	6	27	30	6	36
T5/30		30	47,75	46,95	50,0	2	34,0	15	6	21	21	6	27	30	6	36
T5/32		32	50,93	50,10	55,0	2	38,0	15	6	21	21	6	27	30	6	36
T5/36		36	57,30	56,45	62,0	2	38,0	15	6	21	21	6	27	30	6	36
T5/40		40	63,66	62,86	67,0	2	40,0	15	6	21	21	6	27	30	6	36
T5/42		42	66,84	66,00	73,0	2	40,0	15	6	21	21	6	27	30	6	36
T5/44		44	70,03	69,20	-	3	45,0	15	6	21	21	6	27	30	6	36
T5/48		48	76,39	75,55	-	3	50,0	15	6	21	21	6	27	30	6	36
T5/60		60	95,49	94,65	-	3	65,0	15	6	21	21	6	27	30	6	36