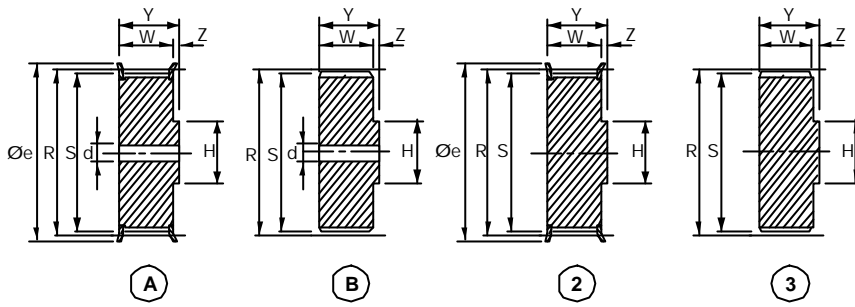


# Poleas Dentadas Métricas

## AT

### FIGURASYDIMENSIONES



MATERIAL  
de 15 a Ø dientes

Aluminio

AT3	Nº dientes	R Ø(mm)	S Ø(mm)	e Ø(mm)	Figura	H Ø (mm)	d Ø (mm)	16-AT3 Anchocorrea=6mm			21-AT3 Anchocorrea=10mm			28-AT3 Anchocorrea=16mm		
								W (mm)	Z (mm)	Y (mm)	W (mm)	Z (mm)	Y (mm)	W (mm)	Z (mm)	Y (mm)
AT3/ 15	15	14,32	13,91	19	A	10	4	10	6	16	15	6	21	22	6	28
AT3/ 16	16	15,28	14,87	20	A	10	4	10	6	16	15	6	21	22	6	28
AT3/ 18	18	17,19	16,78	22	A	12	4	10	6	16	15	6	21	22	6	28
AT3/ 20	20	19,10	18,69	24	A	14	4	10	6	16	15	6	21	22	6	28
AT3/ 22	22	21,01	20,60	26	A	14	6	10	6	16	15	6	21	22	6	28
AT3/ 24	24	22,92	22,51	28	A	14	6	10	6	16	15	6	21	22	6	28
AT3/ 25	25	23,87	23,46	30	A	16	6	10	6	16	15	6	21	22	6	28
AT3/ 27	27	25,78	25,37	30	A	16	6	10	6	16	15	6	21	22	6	28
AT3/ 30	30	28,65	28,24	34	A	20	6	10	6	16	15	6	21	22	6	28
AT3/ 32	32	30,56	30,15	36	A	20	6	10	6	16	15	6	21	22	6	28
AT3/ 36	36	34,38	33,97	40	A	22	6	10	6	16	15	6	21	22	6	28
AT3/ 40	40	38,20	37,79	43	A	26	6	10	6	16	15	6	21	22	6	28
AT3/ 44	44	42,02	41,61	-	B	30	6	10	6	16	15	6	21	22	6	28
AT3/ 45	45	42,97	42,56	-	B	30	6	10	6	16	15	6	21	22	6	28
AT3/ 48	48	45,84	45,43	-	B	34	6	10	6	16	15	6	21	22	6	28
AT3/ 60	60	57,30	56,89	-	B	38	6	10	6	16	15	6	21	22	6	28
AT3/ 72	72	68,75	68,34	-	B	50	6	10	6	16	15	6	21	22	6	28

AT5	Nº dientes	R Ø(mm)	S Ø(mm)	e Ø(mm)	Figura	H Ø (mm)	21-AT5 Anchocorrea=10mm			27-AT5 Anchocorrea=16mm			36-AT5 Anchocorrea=25mm		
							W (mm)	Z (mm)	Y (mm)	W (mm)	Z (mm)	Y (mm)	W (mm)	Z (mm)	Y (mm)
AT5/12	12	19,10	17,85	23,0	2	11,0	15	6	21	21	6	27	30	6	36
AT5/14	14	22,28	21,05	24,0	2	14,0	15	6	21	21	6	27	30	6	36
AT5/15	15	23,87	22,65	27,0	2	16,0	15	6	21	21	6	27	30	6	36
AT5/16	16	25,46	24,20	30,0	2	18,0	15	6	21	21	6	27	30	6	36
AT5/18	18	28,65	27,40	30,0	2	20,0	15	6	21	21	6	27	30	6	36
AT5/19	19	30,24	29,00	33,0	2	22,0	15	6	21	21	6	27	30	6	36
AT5/20	20	31,83	30,60	33,0	2	23,0	15	6	21	21	6	27	30	6	36
AT5/22	22	35,01	33,85	36,0	2	24,0	15	6	21	21	6	27	30	6	36
AT5/24	24	38,20	37,00	40,0	2	26,0	15	6	21	21	6	27	30	6	36
AT5/25	25	39,79	38,60	46,0	2	26,0	15	6	21	21	6	27	30	6	36
AT5/26	26	41,38	40,20	46,0	2	26,0	15	6	21	21	6	27	30	6	36
AT5/27	27	42,97	41,80	46,0	2	30,0	15	6	21	21	6	27	30	6	36
AT5/28	28	44,56	43,35	50,0	2	32,0	15	6	21	21	6	27	30	6	36
AT5/30	30	47,75	46,55	50,0	2	34,0	15	6	21	21	6	27	30	6	36
AT5/32	32	50,93	49,70	55,0	2	38,0	15	6	21	21	6	27	30	6	36
AT5/36	36	57,30	56,05	62,0	2	38,0	15	6	21	21	6	27	30	6	36
AT5/40	40	63,66	62,45	67,0	2	40,0	15	6	21	21	6	27	30	6	36
AT5/42	42	66,84	65,60	73,0	2	40,0	15	6	21	21	6	27	30	6	36
AT5/44	44	70,03	68,80	-	3	45,0	15	6	21	21	6	27	30	6	36
AT5/48	48	76,39	75,15	-	3	50,0	15	6	21	21	6	27	30	6	36
AT5/60	60	95,49	94,25	-	3	65,0	15	6	21	21	6	27	30	6	36