

“SM” SERVOMATE Disc couplings



Contents

“SM” SERVOMATE Disc Couplings	Page
Description	67
Standard execution	67



“SM” SERVOMATE disc couplings

SM SERVOMATE disc couplings have been specially designed for servomotor applications. The aluminium hubs and the compact design provide low mass

moment of inertia resulting in a reliable and maintenance free coupling for high speeds. The double disk pack execution has been designed for applications with radial misalignment.

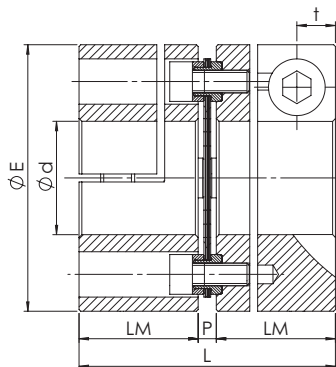


Fig. 1

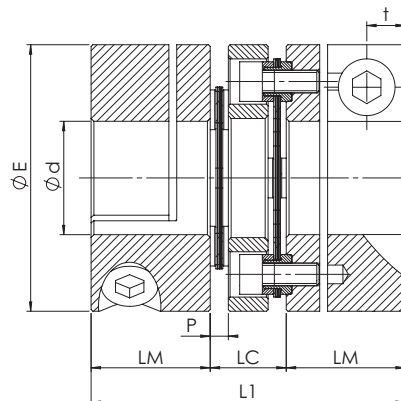


Fig. 2

Size	Dimensions [mm]								Screw		Weights and moments of inertia				TKN [Nm]	TKmax [Nm]	Max. speed [rpm]
	dmax	E	LC	LM	L	L1	P	t	Type	Ms [Nm]	Fig. 1		Fig. 2				
											W* [Kg]	J* [Kg · m²]	W* [Kg]	J* [Kg · m²]			
15	20	47	13	21	45	55	3	6,8	M6	10	0,16	52 · 10 ⁻⁶	0,20	63 · 10 ⁻⁶	20	40	16000
20	25	59	19	24	52	67	4	6,5	M6	10	0,30	149 · 10 ⁻⁶	0,40	194 · 10 ⁻⁶	30	60	12000
25	35	70	24	32	69	88	5	9	M8	25	0,53	384 · 10 ⁻⁶	0,66	492 · 10 ⁻⁶	60	120	10000

*= with max bore

Size	Trasmissible torque [Nm] related to shaft diameter [mm]															
	Ø10	Ø11	Ø12	Ø14	Ø15	Ø16	Ø19	Ø20	Ø22	Ø24	Ø25	Ø28	Ø30	Ø32	Ø35	
15	20	22	24	28	30	32	38	40	-	-	-	-	-	-	-	
20	-	-	24	28	30	32	38	40	44	48	50	-	-	-	-	
25	-	-	-	-	55	59	70	73	81	88	92	103	110	117	128	

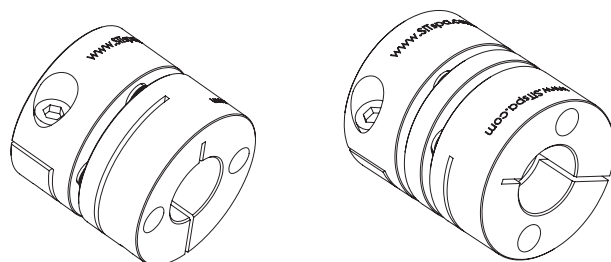
Order form

Hub/Disc pack **GSM 020 M**

GSM SERVOMATE hub

Size

M: solid standard hub
 PL: Disc pack
 C: Spacer



SERVOMATE